

OPTO 22

DATA SHEET

Form 528-010122

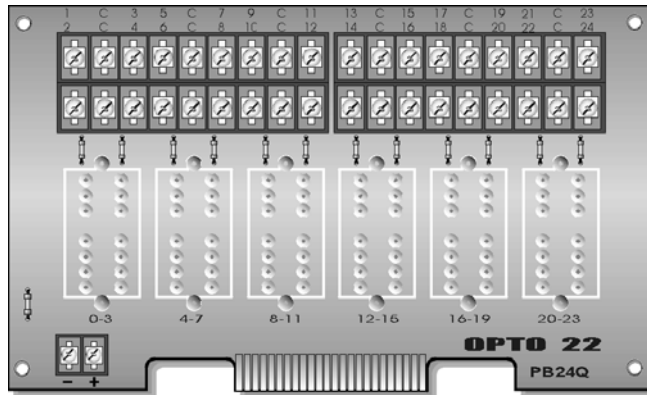
RACKS
QUAD
DIGITAL

page 1/3

Description 6-MODULE POSITION RACK

The PB24Q I/O mounting rack can accommodate up to six Quad Pak I/O modules for a total of 24 I/O channels. The PB24Q I/O mounting rack uses a 50-pin card edge connector for interface to computer parallel I/O ports via a 50-conductor ribbon cable. The mounting rack features a replaceable 5-amp fuse for each pair of I/O module positions. Status indicating LEDs are mounted on the Quad Pak I/O modules. All Quad Pak modules are designed to operate on 5 Volt logic.

Part Number	Description
PB24Q	Quad 6-Module Position Rack



OPTO 22

DATA SHEET

Form 528-010122

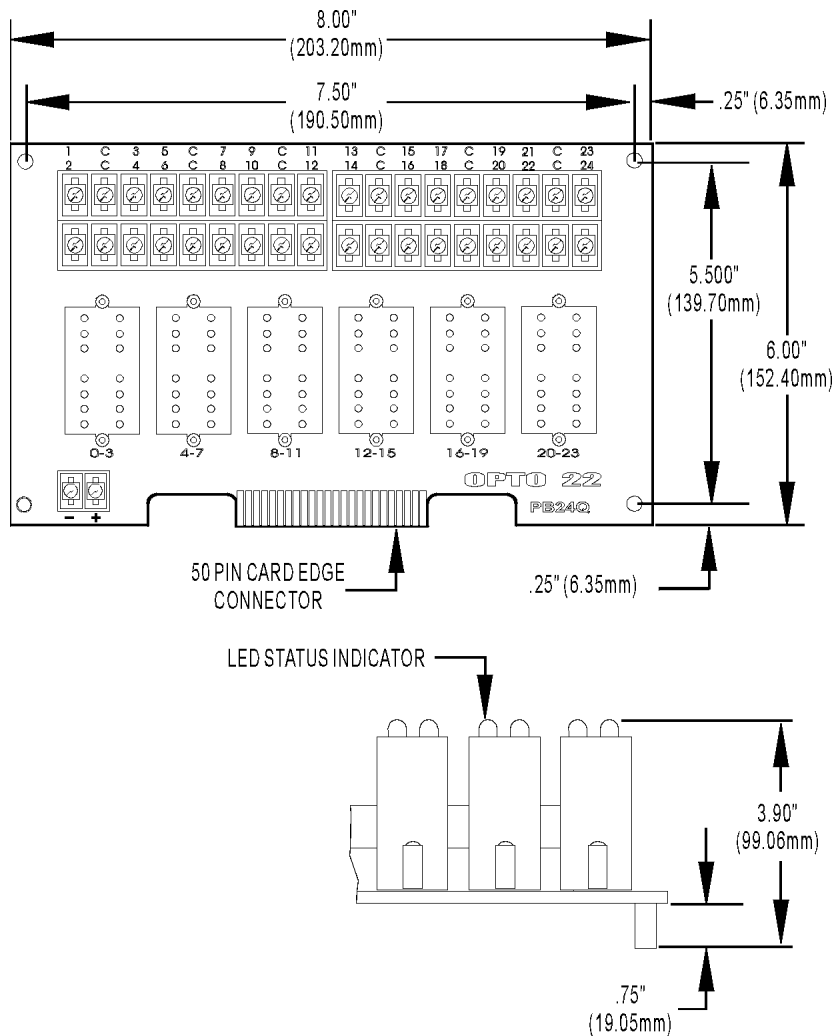
RACKS
QUAD
DIGITAL

page 2/3

Specifications

Operating Temperature	0° to 70° C 95% relative humidity Non-condensing
Interface Connector Field Logic	6-32 screw terminals 50-conductor card edge connector

Dimensions



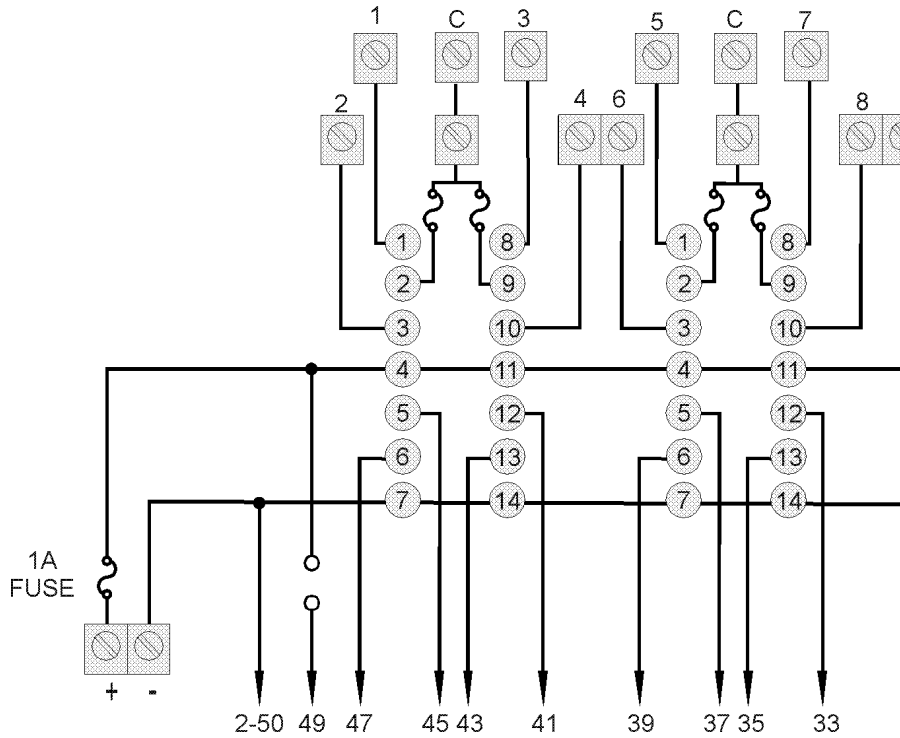
OPTO 22

DATA SHEET

Form 528-010122

RACKS QUAD DIGITAL

page 3/3



Module Position	Control (Edge Connector)	Field (Terminal Strip)
0	47	1 & C
1	45	2 & C
2	43	3 & C
3	41	4 & C
4	39	5 & C
5	37	6 & C
6	35	7 & C
7	33	8 & C
8	31	9 & C
9	29	10 & C
10	27	11 & C
11	25	12 & C
12	23	13 & C
13	21	14 & C
14	19	15 & C
15	17	16 & C
16	15	17 & C
17	13	18 & C
18	11	19 & C
19	9	20 & C
20	7	21 & C
21	5	22 & C
22	3	23 & C
23	1	24 & C